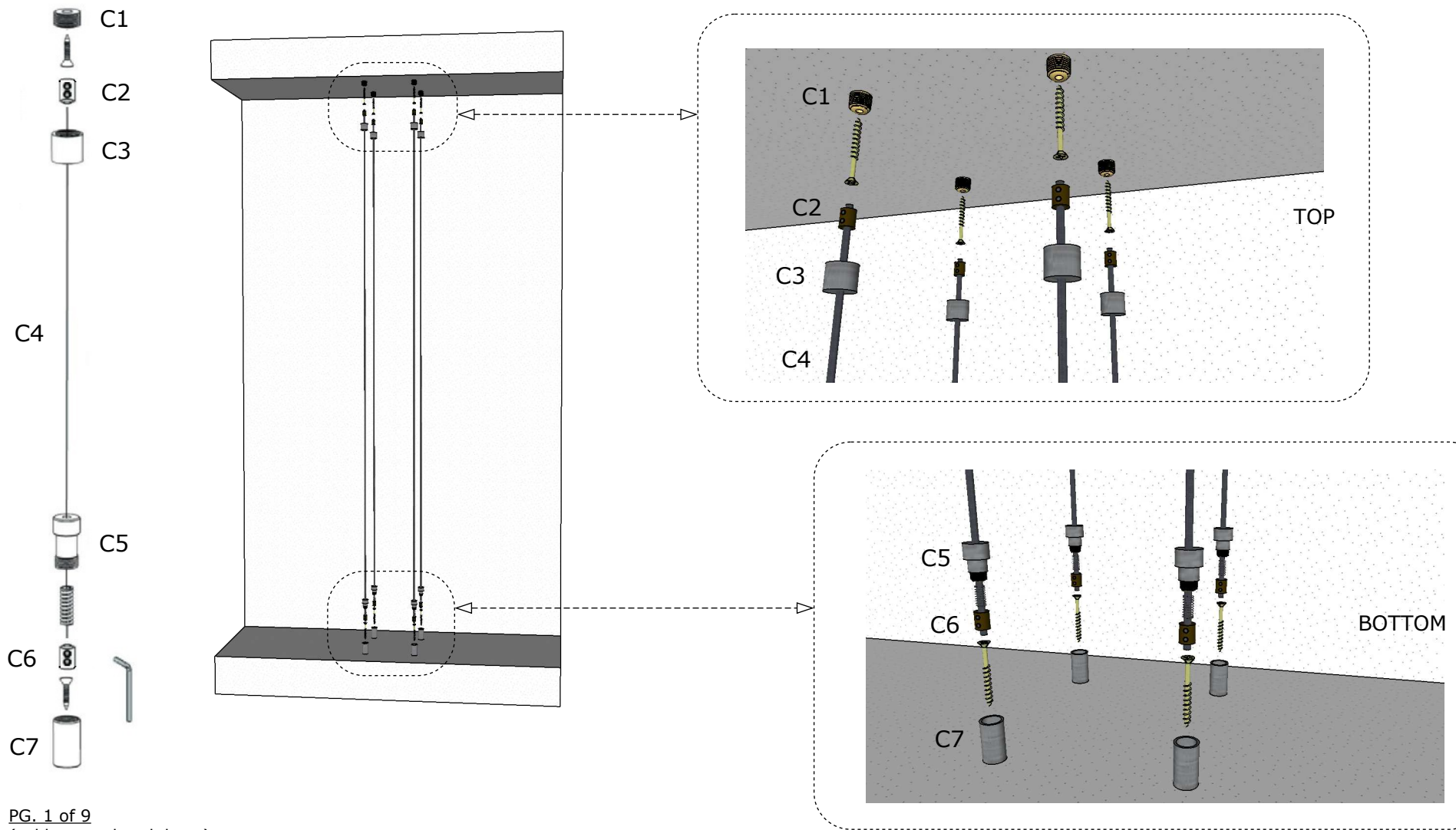


Float Wine Racking Installation Instructions

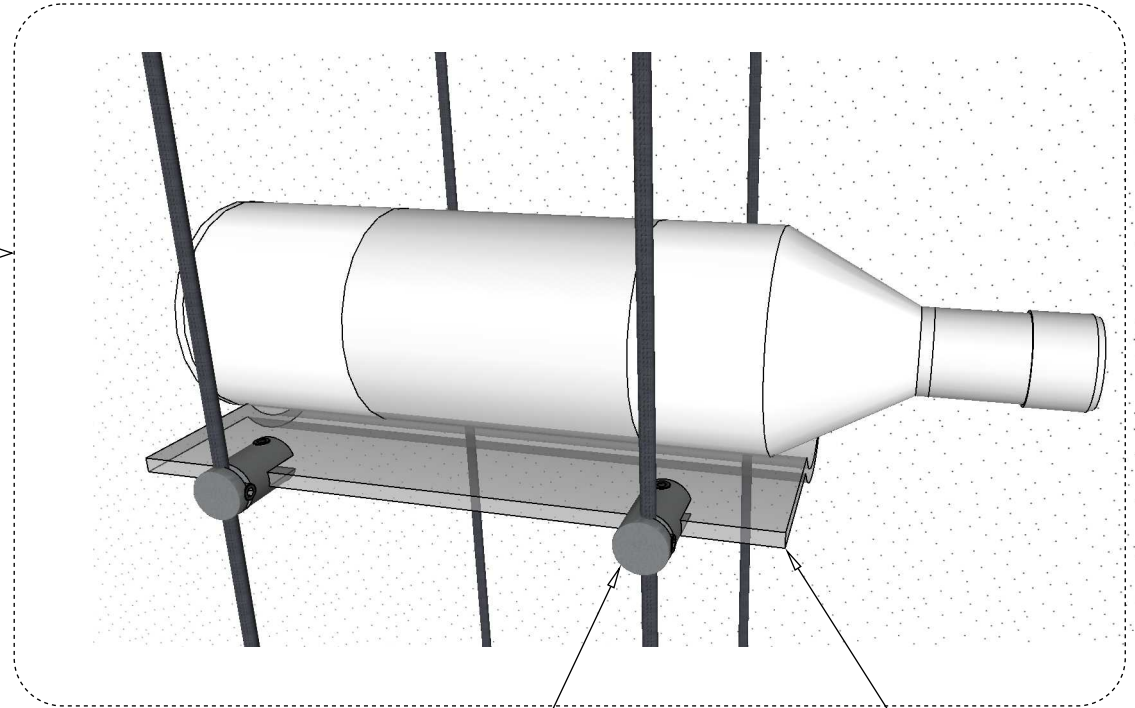
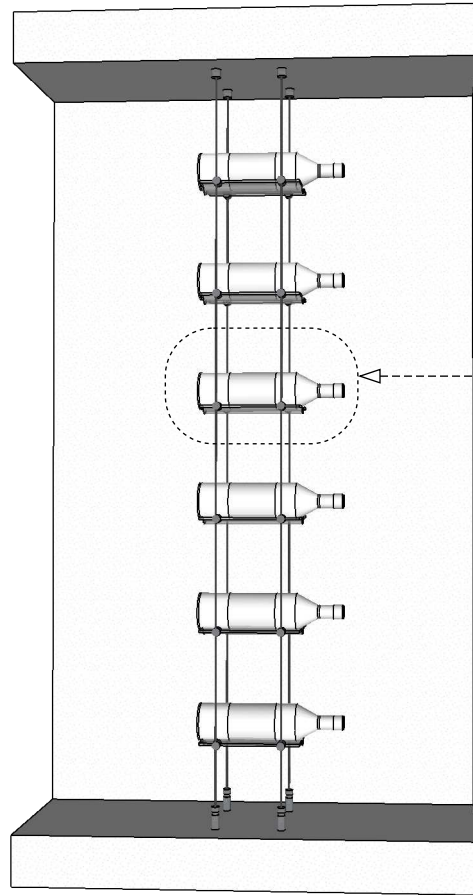


Blue Grouse Wine Cellars

604.929.3180
1.888.400.CORK(2675)



Float Wine Racking Installation Instructions



Cradle/cable clips x 4

Glass cradle

PG. 2 of 9
(glass shelf parts breakdown)

Blue Grouse Wine Cellars

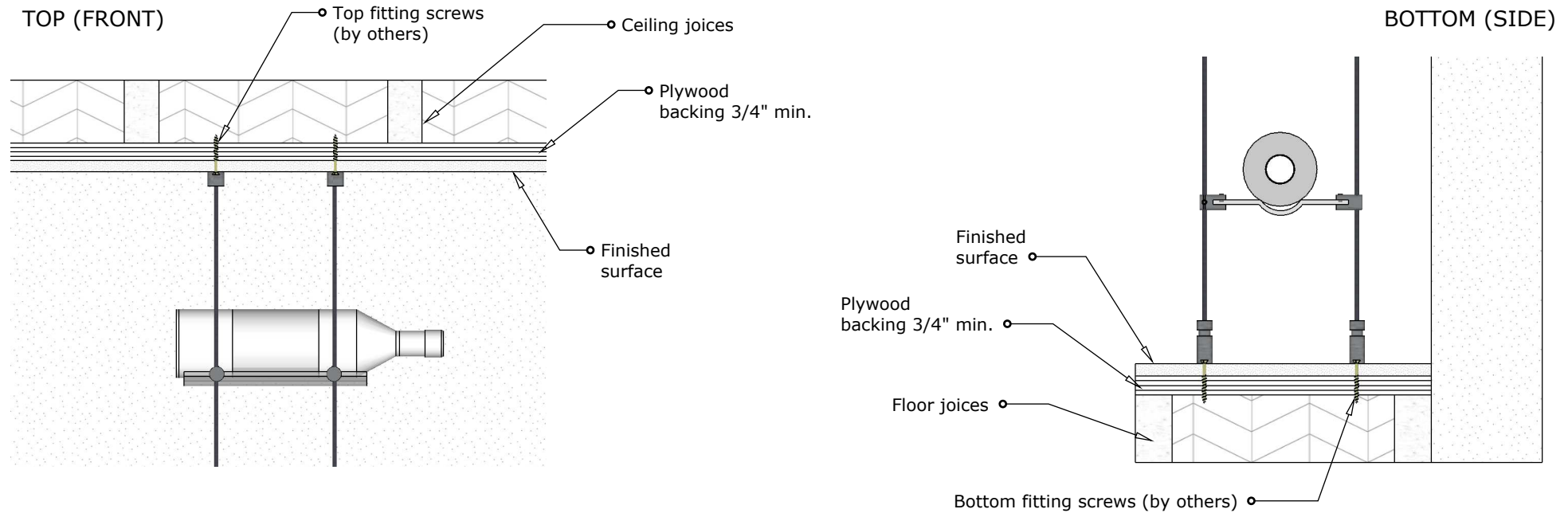
604.929.3180
1.888.400.CORK(2675)



Float Wine Racking Installation Instructions

Step 1

Ensure the installation location has strong, secure floor and ceiling mounting material. The floor and ceiling must hold both the tension of the cables and the weight of the wine bottles. (A drywall ceiling will not be enough. A minimum of 3/4" thick plywood attached to main framing in the top & bottom is required. Each full bottle of wine weighs 3 to 3 1/2 pounds).



Mounting screws

Mounting screws are not provided with the Float wine display system, due to a variety of possible installation scenarios requiring different types of screws or mounting hardware. Here are some common materials/construction scenarios and the recommended hardware for each:

- 3/4" plywood backing with 1/2" finished surface - #8 wood screws 1 1/2" long (use longer screws if finished surface is thicker)
- Tile on concrete - Combination of screws with appropriate concrete anchors

Installer should always verify composition of floor/ceiling surfaces and decide on best mounting hardware.

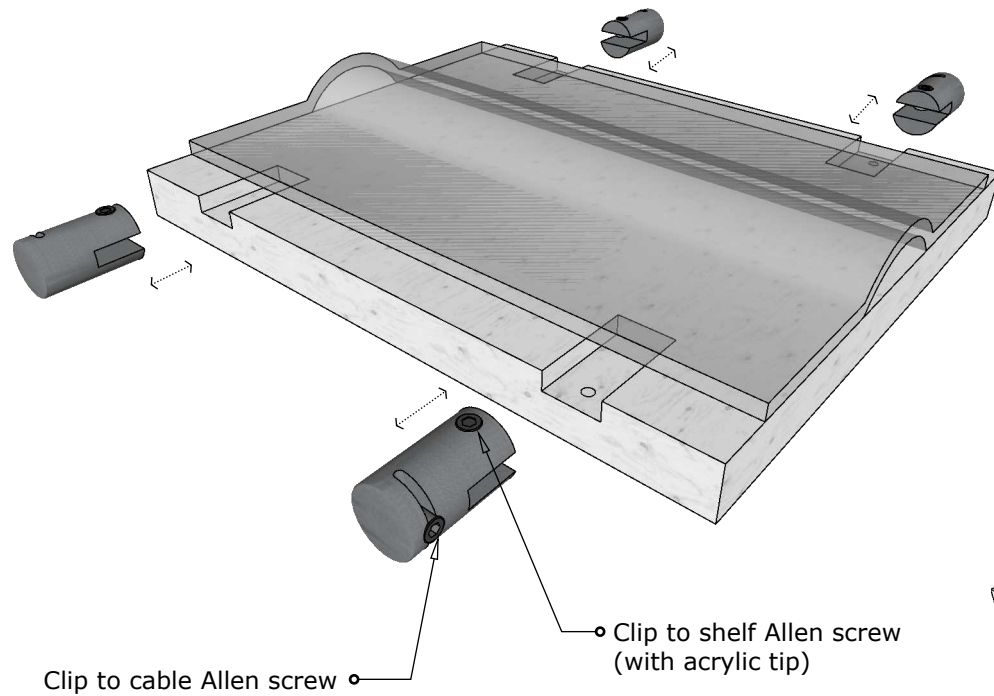
PG. 3 of 9
(installation)

Blue Grouse Wine Cellars

604.929.3180
1.888.400.CORK(2675)

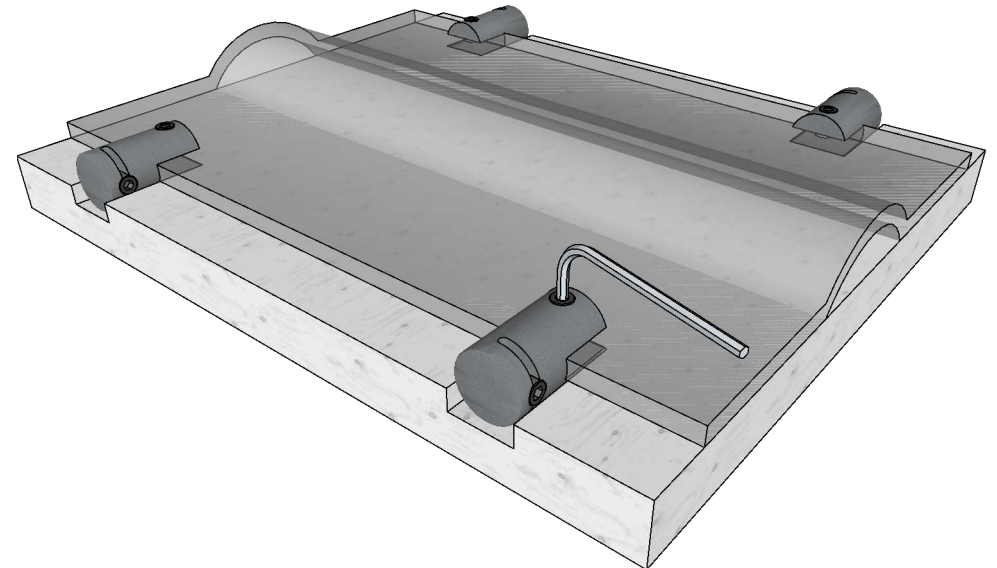


Float Wine Racking Installation Instructions



Step 2

Attach 2 **cradle/cable clips** to each side of each glass cradle. Each glass cradle requires 4 clips. Follow "Glass Cradle & Clip Hardware Specification Sheet" or use template provided to ensure all clips are installed on each glass cradle in the same position so that cradles are in line when attaching them to the cables. Allen screws are provided.
(IMPORTANT: Do not over-tighten the Allen screw. You may crack the glass).



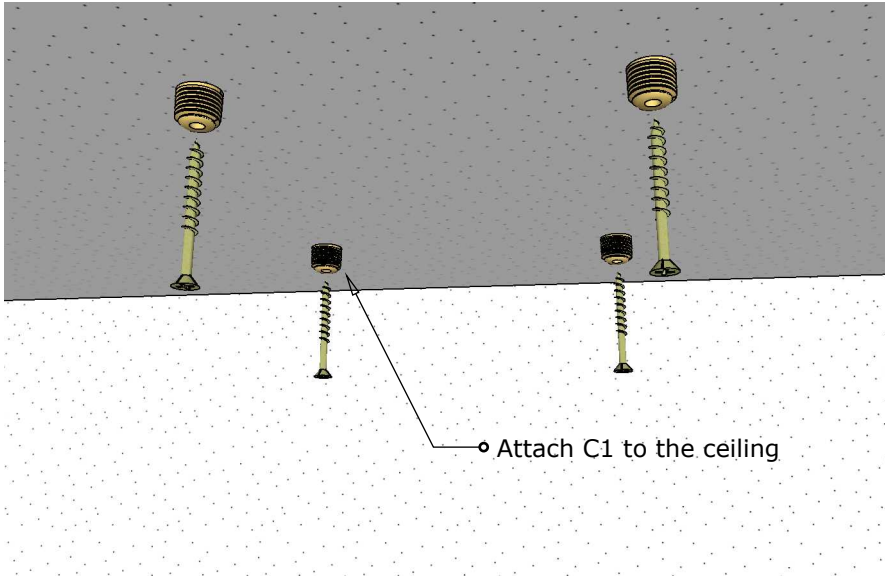
PG. 4 of 9
(installation)

Blue Grouse Wine Cellars

604.929.3180
1.888.400.CORK(2675)



Float Wine Racking Installation Instructions



Step 4

Unwind the cables (**C4**). Before screwing **C3** onto **C1**, ensure all **C2** barrels are securely gripping the cable. These come pre-affixed to the cable but may not be 100% tight nor in contact with cable. If they aren't checked and tightened there is a risk of the cable slipping through the fitting and becoming detached from the ceiling.

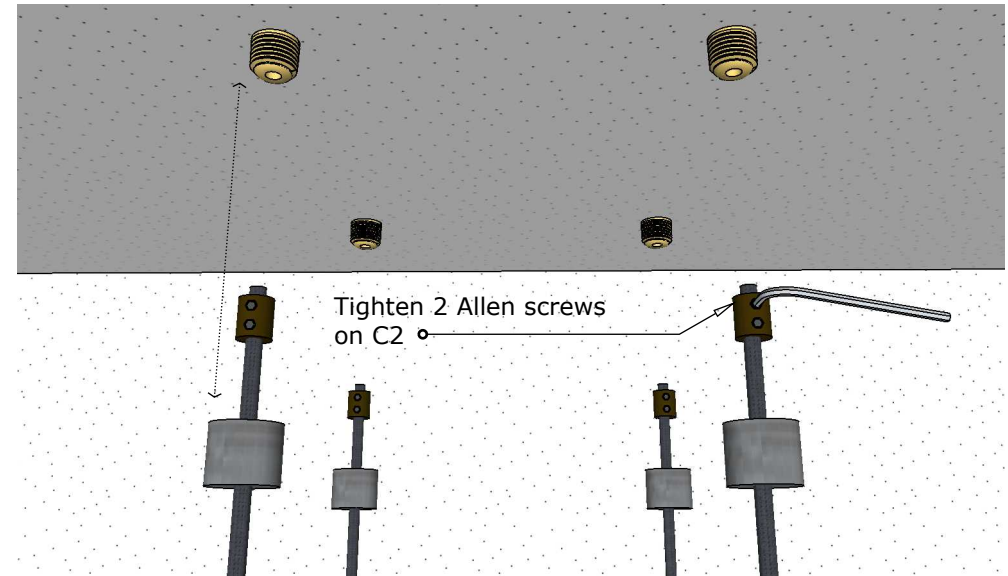
PG. 5 of 9
(Installation)

Step 2

Measure and note the distance between the cable slots in the clips lengthways and across the cradles. These measurements are critical to ensure proper alignment of the cables.

Step 3

To attach 4 cables to your ceiling (or top of your enclosure) use the measurements of the cable slots on glass cradles. Ensure they perfectly match the slots on your cradles or use template provided so all holes are in the same position as the shelf/cable clips on glass cradles. First attach **C1** fittings to the ceiling.

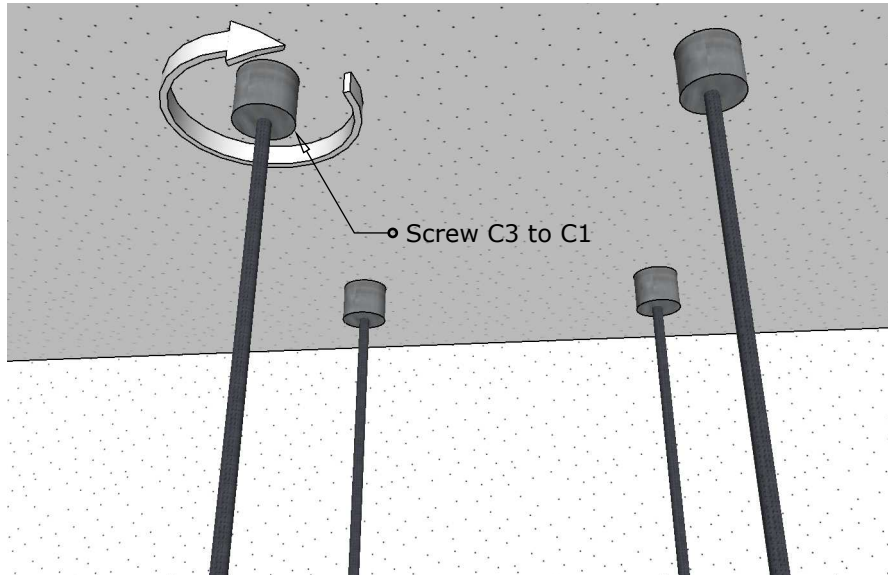


Blue Grouse Wine Cellars

604.929.3180
1.888.400.CORK(2675)



Float Wine Racking Installation Instructions



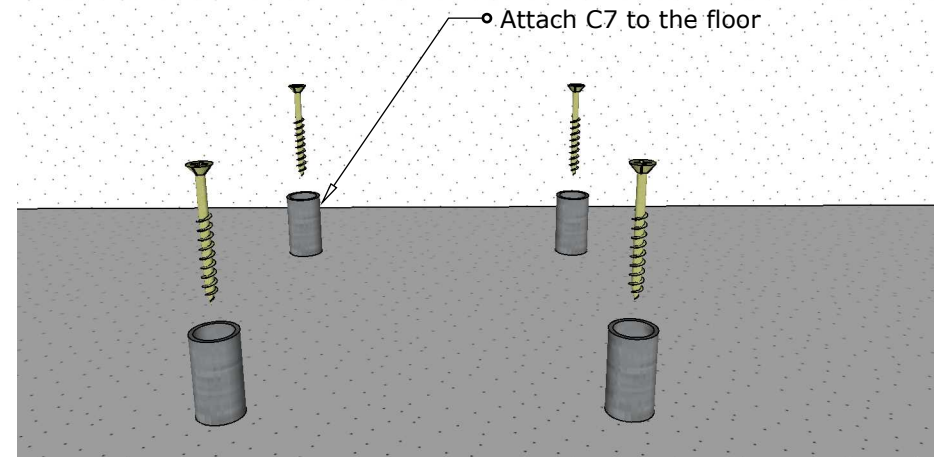
Step 6

To attach 4 cables to your floor (or bottom of your enclosure) use the measurements of the cable slots on glass cradles. The provided template and a laser level or plumb bob to align with ceiling cable attachments is recommended for accuracy. Attach the 4 **C7** fittings to the floor.

PG. 6 of 9
(installation)

Step 5

Screw **C3** fittings to **C1**, let cables hang loose.

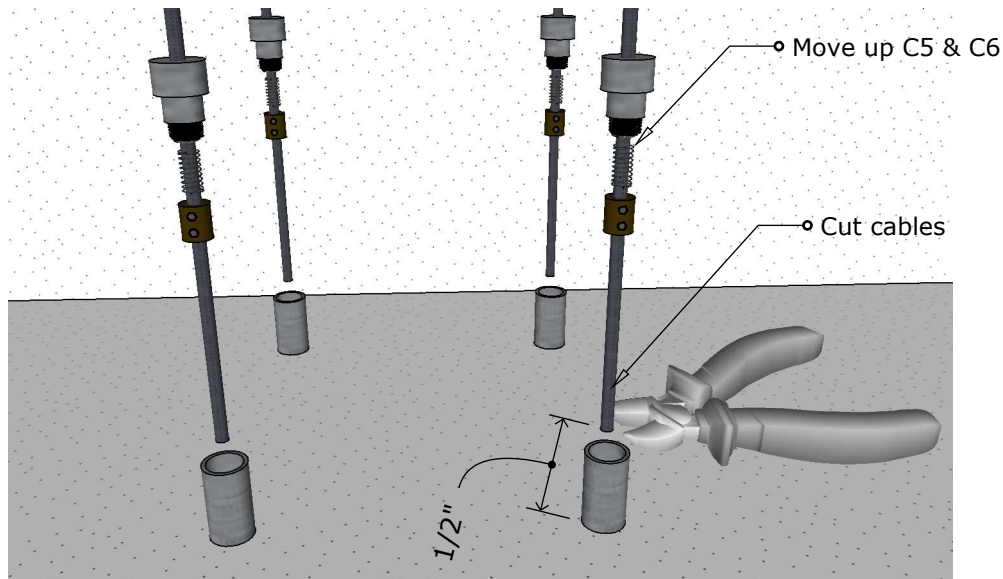


Blue Grouse Wine Cellars

604.929.3180
1.888.400.CORK(2675)



Float Wine Racking Installation Instructions

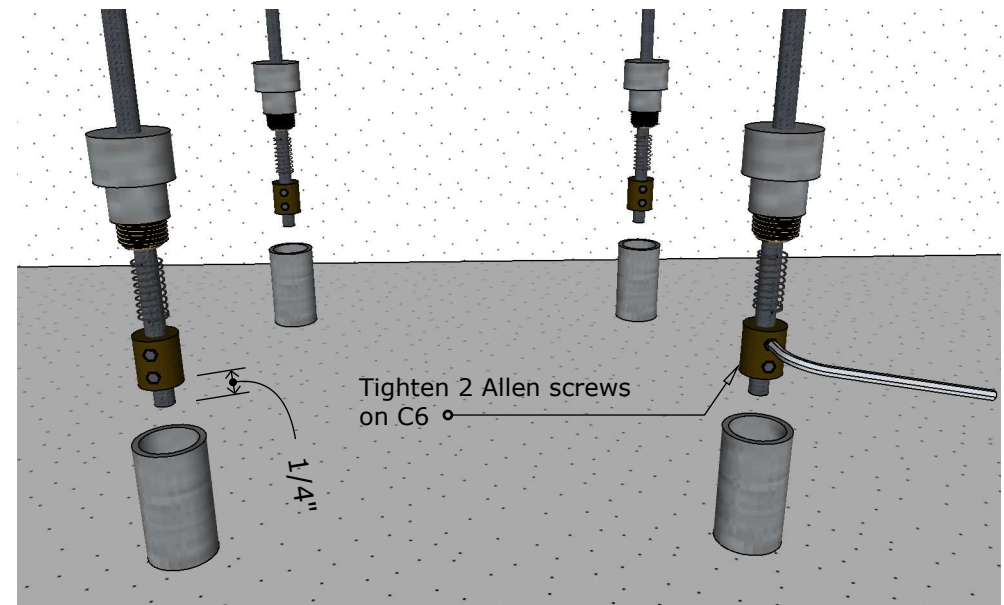


Step 7

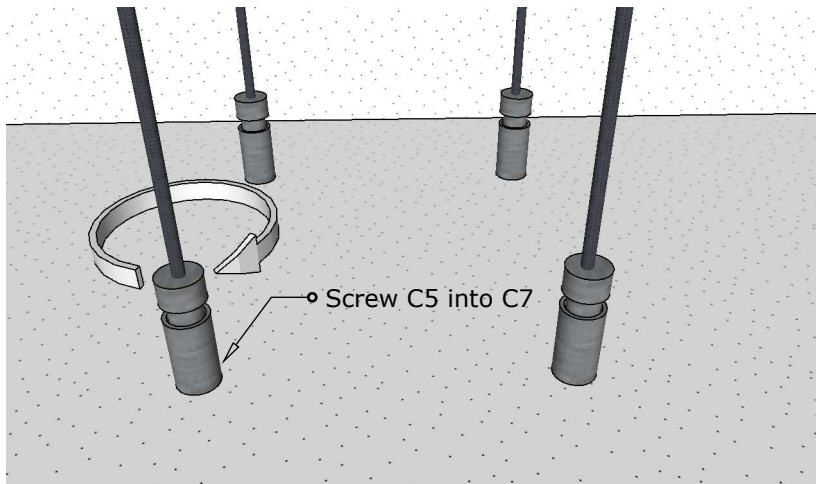
Using the Allen key unscrew 2 Allen screws on **C6** and raise **C5 & C6** on the cable. Cut off the excess cable so that it is 1/2" above the floor. *Do not detach the **C6** from the cable, move it up before cutting it to the length you need.

Step 8

Move 4 **C6** fittings down so they are approximately 1/4" up from the bottom end of the cut cables. Tighten the 2 Allen screws on **C6** barrels.



Float Wine Racking Installation Instructions



Step 9

Screw **C5** into **C7**, this will compress the spring and assure proper tension on the cable. If the cable is not tight enough, slightly raise part **C6** on cable and repeat. Should a larger adjustment need to be made, the excess cable should be trimmed off as instructed in Step 7. Once proper tension has been achieved, securely tighten all parts but do not completely screw **C5** into **C7** leaving about 1/4" unscrewed. However the cable must be taut at this point. This will give room for the cable to be tightened once it has stretched into place.

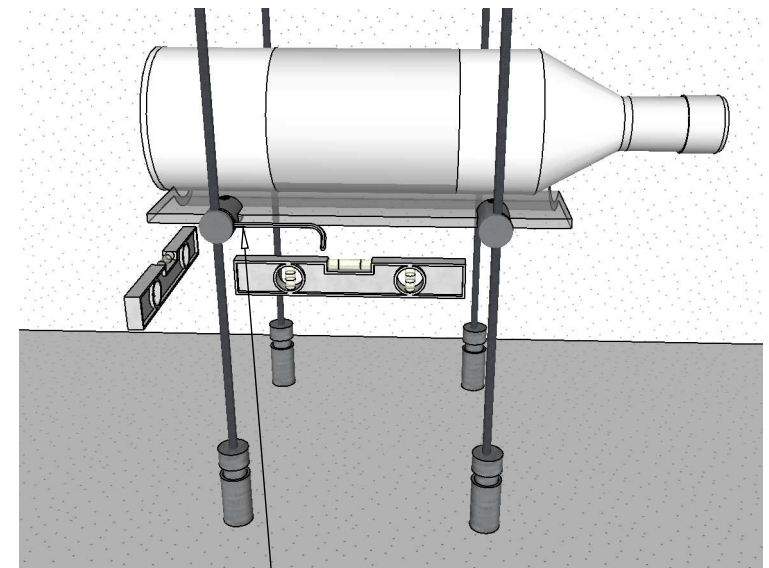
Step 10

Measure the distance from floor to ceiling and determine the placement of your cradles on the cables. Determine the placement of the lowest cradle. Slide the cables into the slots on the first cradle (angle the cradle carefully so all clip slots slide into 4 cables). Start an Allen screw into the end of each slot in each of the four clips. Tighten the Allen screw onto the cable on one corner of the cradle at the height determined. Use a level to determine the exact horizontal height of each corner of the cradle and tighten the Allen screw on each as it is leveled.

Cable Movement

*There will always be some movement in the cables after installation. Cables should be well-tightened but there should always be room to tighten by twisting the **C5** fitting. This will be useful over time with potential settling of your display so cables can be tightened with a simple twist. Over-tightening during initial installation may cause the **C6** barrel fitting to lose grip of the cable.*

PG. 8 of 9
(installation)



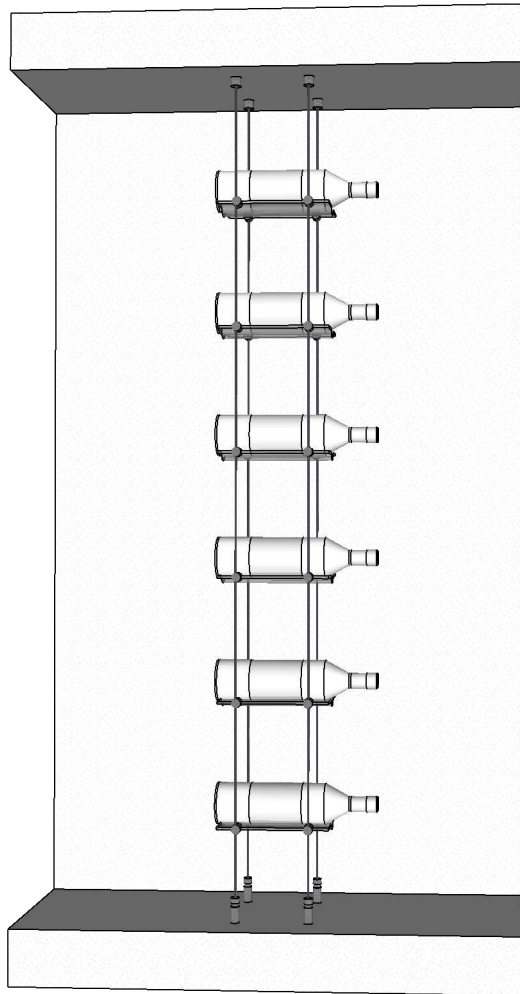
• Tighten Allen screws on 4 clips

Blue Grouse Wine Cellars

604.929.3180
1.888.400.CORK(2675)



Float Wine Racking Installation Instructions



Step 11

Measure the distance to the next plate and repeat the placement instructions. Repeat the plate placement instructions for each plate. Ensure the distance between the plates is equal for all plates.

TIP:

Using a laser level when installing multiple columns with cradles in the same position can save time measuring vertical placement.

PG. 9 of 9
(installation)

Blue Grouse Wine Cellars

604.929.3180
1.888.400.CORK(2675)

